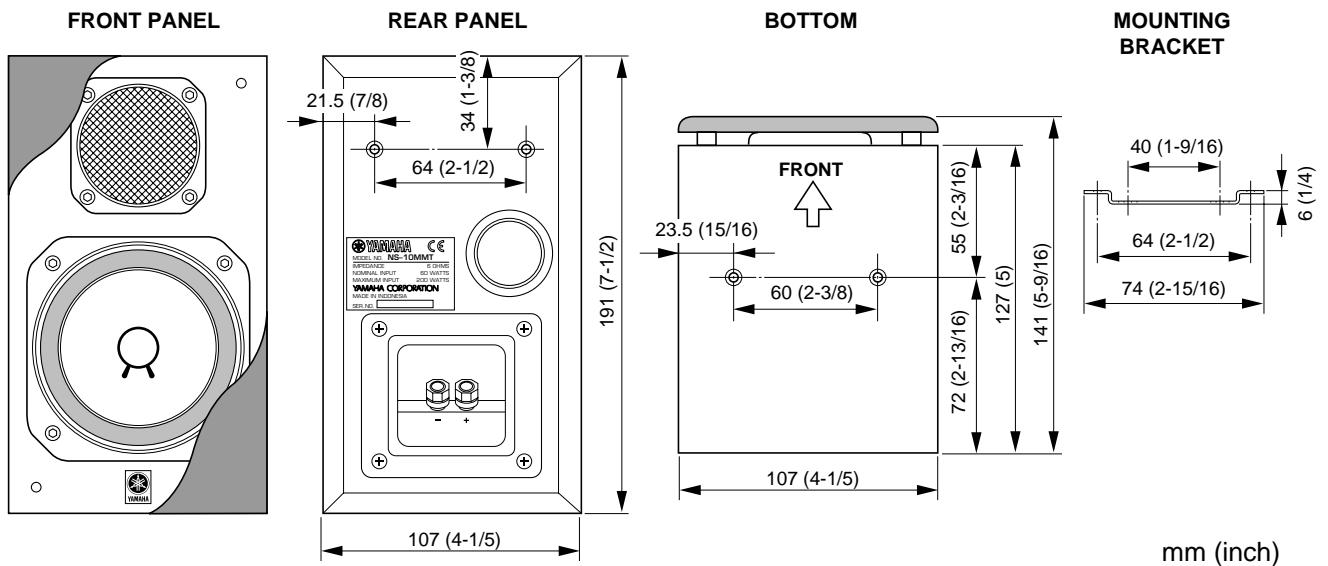


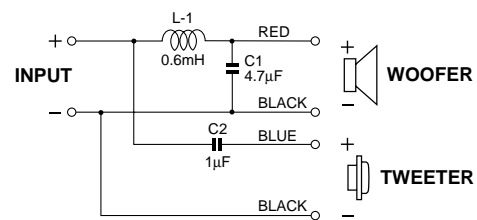
SPEAKER SYSTEM NS-10MMT

SERVICE MANUAL

■ DIMENSIONS



■ NETWORK CIRCUIT DIAGRAM



■ SPECIFICATIONS

Type 2-way bass reflex magnetic shielding
Speaker Unit
 Woofer 9 cm (3-1/2") cone
 Tweeter 2.5 cm (15/16") balanced dome
Frequency Response 75 Hz – 33 kHz
Impedance 6 ohms
Nominal Input Power 40 W
Maximum Input Power 100 W

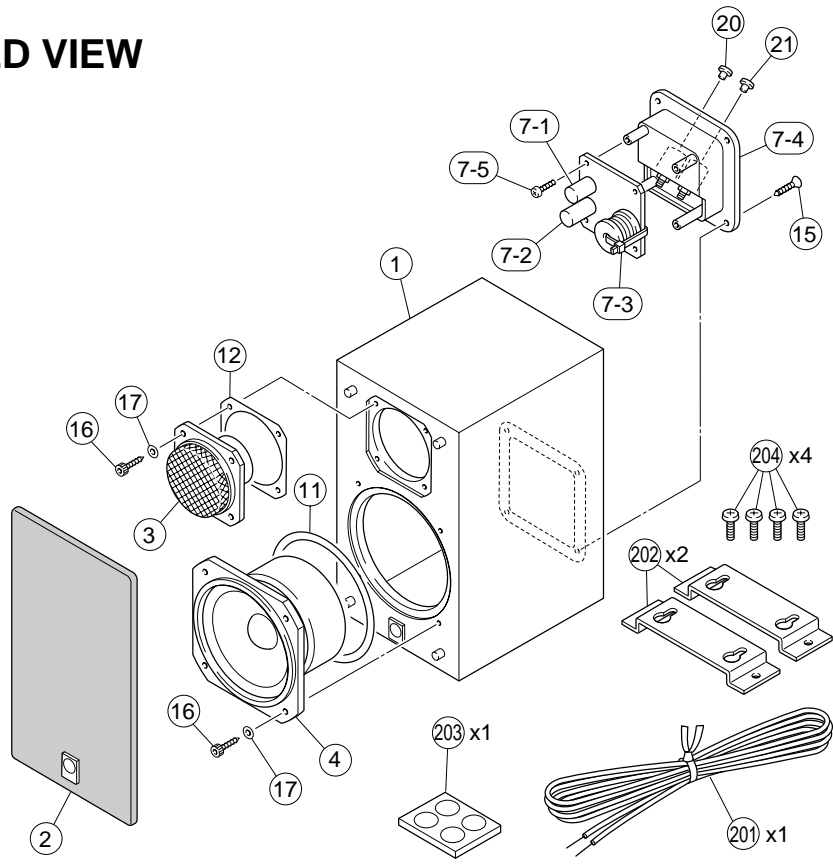
Sensitivity 88 dB/2.83 V/m
Crossover Frequency 7 kHz
Dimensions (W x H x D) 107 x 191 x 141 mm
 (4-1/5" x 7-1/2" x 5-9/16")
Weight 1.5 kg (3 lbs. 5 oz.) / 1 piece
Finish Cherry PVC, Black wood grain PVC
Accessories Speaker cord (10m) x 2,
 Mounting bracket x 2, Cushion pad x 4, Screw x 4



このサービスマニュアルは、エコマーク認定の再生紙を使用しています。
 This Service Manual uses recycled paper.

* Specifications are subject change without notice due to product improvements.

EXPLODED VIEW



PARTS LIST

Ref. No.	PART NO.	Description	Remarks	Markets	
*	1	V6310700	CABINET ASSY	CH	
*	1	V6310800	CABINET ASSY	BL	
*	2	V6310900	FRONT GRILLE ASS'Y	CH	
*	2	V6311000	FRONT GRILLE ASS'Y	BL	
	3	XW737A00	LOUD SPEAKER	2.5cm 8 20W	CH
	3	XS218A00	LOUD SPEAKER	2.5cm 8 20W	BL
*	4	XZ323A00	LOUD SPEAKER (GD)	9.0cm 6 20W	CH
*	4	XZ325A00	LOUD SPEAKER (BL)	9.0cm 6 20W	BL
*	7-1	V6573900	ELECTROLYTIC CAP	1uF 63V	
*	7-2	V6890900	ELECTROLYTIC CAP	4.7uF 63V	
	7-3	CB818540	BINDING TIE	T-30RF-2	
*	7-4	V6311300	SPEAKER TERMINAL	SCREW TYPE	
	7-5	EP600280	BIND HEAD P-TITE SCREW	3x8 ZMC2-Y	
*	11	V6320600	PACKING	WO	
*	12	V6320700	PACKING	TW	
*	15	V6311600	FLAT HEAD WOOD SCREW	3.0x13 MFZN2BL	
*	16	V6311500	HEXAGON HEAD WOOD SCREW	3.0x15 MFN133	CH
*	16	V6311400	HEXAGON HEAD WOOD SCREW	3.0x15 MFZN2BL	BL
*	17	V6478400	WASHER	M3.0	
	20	V5361400	TERMINAL CAP	S06E RED	
	21	V5361500	TERMINAL CAP	S06E BLACK	
	201	V5681200	ACCESSORIES SPEAKER CORD	10m 1pc	
	202	V5361200	MOUNTING BRACKET	1pc	
*	203	V6322900	CUSHION PAD	M15 t5 4pcs/set	
	204	EG340360	BIND HEAD SCREW	4.0x8 MFZN2BL	

* New Parts